

## Presence detector 360° DALI-2 BMS

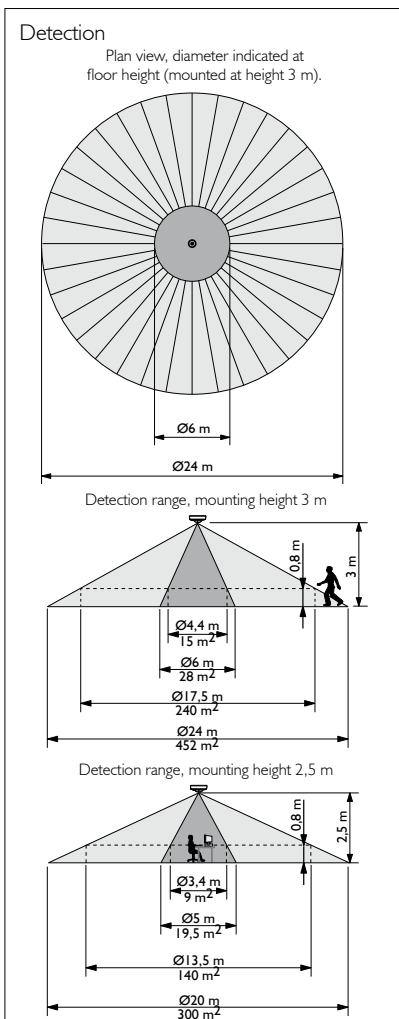
– for indoor lighting control

- For flush mounting
- Suitable for BMS/IBI installations
- Can be connected in parallel to increase the detection range
- Configurable via DALI bus
- Detection angle 360° or 3x120°
- Protection class IP54
- Sends notification of presence and lux level to the application controller
- The controller can deactivate one or more of the 3 PIR-segments
- The controller can adjust the sensitivity for each of the 3 PIR segments
- The controller can set hysteresis for lux changes

Presence detector 41-742 is intended for flush-mounted installation in ceiling in the enclosed ceiling box.

The detector can be installed in connection with a BMS system. Thus, an effective and energy-saving solution can be achieved that is integrated with the application controller.

The detector is DALI-2 compliant and complies with the relevant DALI standards. The detector has its own address range on the DALI bus, which means that the number of detectors does not affect the number of luminaires that can be connected to the DALI bus.



### Technical data



#### Input

Power supply Via the DALI bus  
Power consumption 7 mA

#### Performance

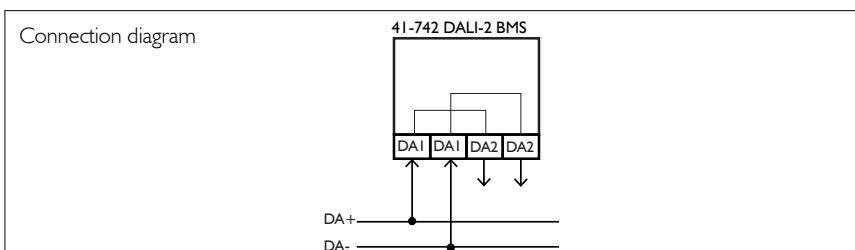
Lux ranges 0-1,023 lux  
0-10,360 lux  
Detection angle (3 x 120°) 360°  
Detection range - Body movements (at mounting height 3 m) 450 m²  
Detection range - Small movements (at mounting height 2,5 m) 9 m²  
Ceiling installation height 2 - 3.4 m  
Sensitivity 4 settings  
Protection class, gasket is mounted IP 54  
Colour RAL 9010 (white)  
Ambient temperature -5°C ... +50°C

#### Approval

CE according to EN 60669-2-1

#### Standards

DALI IEC 62386-101  
IEC 62386-103  
IEC 62386-303  
IEC 62386-304



### Order numbers

Product	Type	EAN no.
DALI-2 BMS detector	41-742	5703102 210913